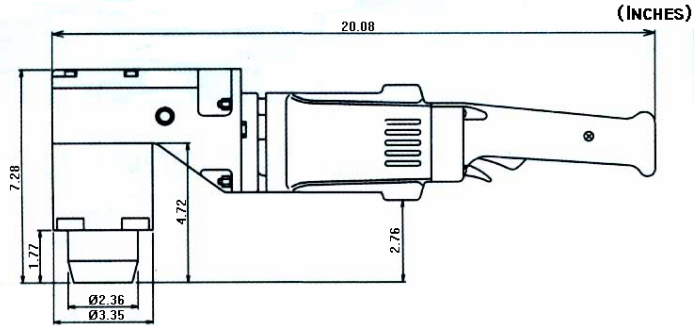
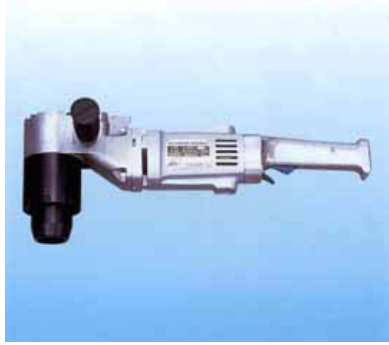


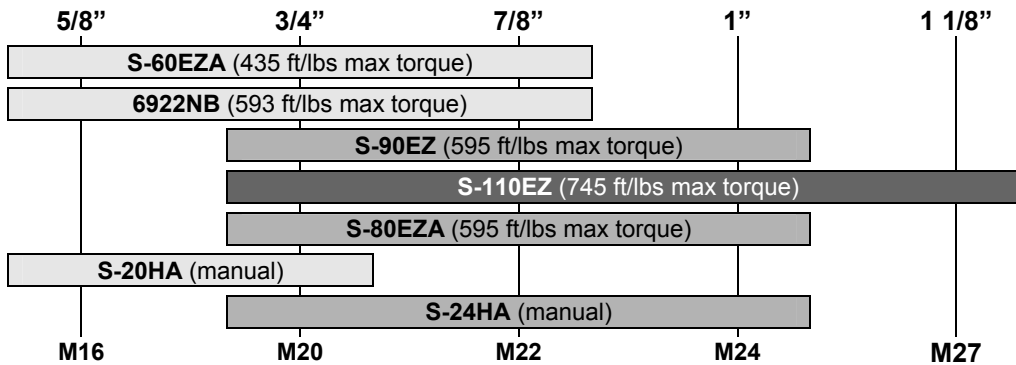
ELECTRIC SHEAR WRENCH SERIES  
MODEL S-80EZA



S-80EZA SHEAR WRENCH



APPLICATION REFERENCE CHART

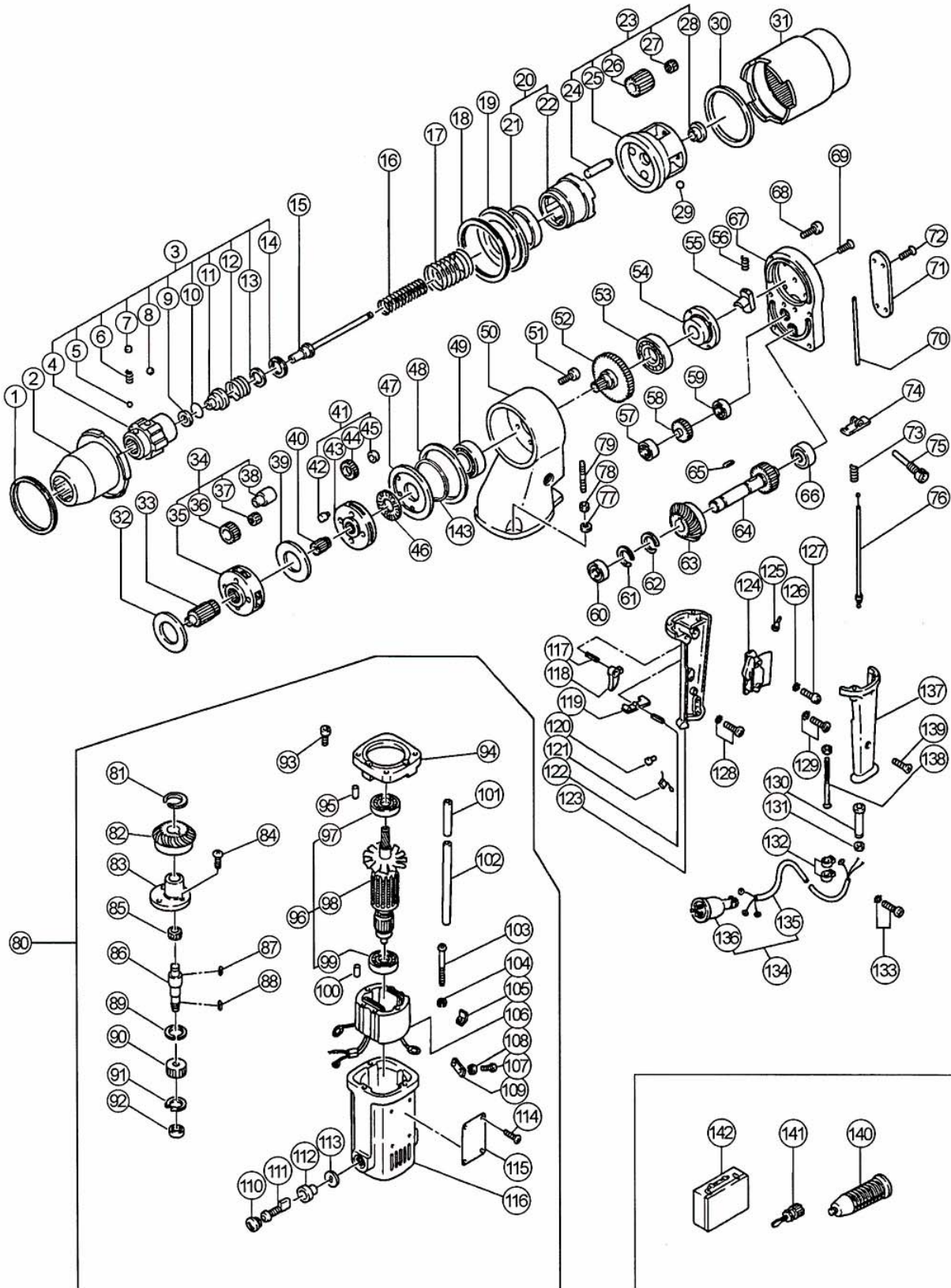


TOOL SPECIFICATIONS

MODEL	S-60EZA	6922NB	S-90EZ	S-110EZ	S-80EZA	S-20HA	S-24HA
<b>Tool Specifications</b>							
Voltage	115V	115V	115V	115V	115V	.	.
Max Current	13.5A	12.0A	12.0A	13.5A	11.5A	.	.
Max Power Consumption	1300W	1200W	1200W	1300W	1100W	.	.
Frequency	50~60Hz	50~60Hz	50~60Hz	50~60Hz	50~60Hz	.	.
Max Torque	435 ft/lbs	593 ft/lbs	595 ft/lbs	745 ft/lbs	595 ft/lbs	.	.
No-Load Rotation	22 RPM	18 RPM	15 RPM	16 RPM	12 RPM	.	.
Weight	12.1 lbs	10.6 lbs	16.7 lbs	22.7 lbs	17.6 lbs	9.0 lbs	13.9 lbs

MODEL S-80EZA  
ASSEMBLY DRAWING

LEJEUNE  
BOLT COMPANY



MODEL S-80EZA  
PARTS LIST



PART NO.	DESCRIPTION	QTY
1	Spirolox	1
2	Outer Socket	1
3	Inner socket	1
15S	Ejector Pin 3/4", 7/8"	1
15L	Ejector Pin 1"	1
16	Ejector Spring	1
17	Inner Socket Spring	1
18	Spirolox	1
19	Thrust Washer	1
20	Inner Socket Holder Assembly	1
24	Third Gear Pin	4
25	Third Cage	1
26	Third Idle Gear	4
27	Needle Cage	8
28	Metal Bearing B	1
29	Steel Ball	39
30	Ball Washer	1
31	Internal Gear	1
32	Second Thrust Metal	1
33	Third Pinion	1
35	Second Cage	1
36	Second Idle Gear	4
37	Needle Cage	4
38	Second Gear Pin	4
39	First Thrust Metal	1
40	Second Pinion	1
42	First Gear Pin	4
43	First Cage	1
44	First Idle Gear	4
45	Bearing	4
46	Thrust Needle Bearing	1
47	Friction disk	1
48	Spirolox	1
49	Deep-groove Ball Bearing	1
50	Housing	1
51	Allen Bolt	6
52	First Pinion Gear	1
53	Deep-groove Ball Bearing	1
54	Latch Cover	1
55	Latch	1
56	Latch Spring	1
57	Bearing	1
58	Idle Gear	1
59	Bearing	1
60	Bearing	1
61	Snap Ring	1
62	Snap Ring	1
63	Spiral Bevel Gear	1
64	Idle Gear	1
65	Parallel Key	1
66	Bearing	1
67	Housing Cover	1
68	Allen Bolt	6
69	Phillips Countersunk Screw	4
70	Latch Bar	1
71	Latch Bar Cover	1

PART NO.	DESCRIPTION	QTY
72	Phillips Countersunk Screw	4
73	Connecting Spring	1
74	Swing Lever	1
75	Swing Lever Bolt	1
76	Wire Rope	1
77	Spring Washer	4
78	Hex Nut	4
79	Stud Bolt	4
81	Circlip	1
82	Spiral Miter	1
83	Bearing Bracket	1
84	CRPH Screw	3
85	Needle Bearing	1
86	Input Shaft	1
87	Parallel Key	1
88	Parallel Key	1
89	Thrust Washer	1
90	Helical Gear	1
91	Snap Ring	1
92	Bearing	1
93	Allen Bolt	3
94	Bearing Bracket	1
95	Rubber Plug	1
97	Bearing	1
98	Armature	1
99	Bearing	1
100	Rubber Plug	1
101	Insulating Tube	1
102	Insulating Tube	1
103	CRPH Screw	2
106	Stator	1
107	CRPH Screw	2
110	Brush Cap	2
113	Insulating Washer	2
111	Carbon Brush	2
116	Stator Spider	1
118	Eject Lever	1
119	Cam	1
121	Capacitor	1
123	Grip	1
124	Trigger Switch	1
127	CRPH Screw	2
128	CRPH Screw	2
129	CRPH Screw	2
130	Cord Armour	1
131	Cord Armour Washer	2
132	Cord Clamp	2
133	CRPH Screw	2
134	Cord Assembly	1
137	Grip Cover	1
138	CRPH Screw	4
139	CRPH Screw	1
140	Side Grip	1
142	Metal Case	1
143	Spiro Washer	1

ANY PART NOT LISTED IS A COMPONENT OF AN ASSEMBLY AND IS NOT SOLD SEPARATELY