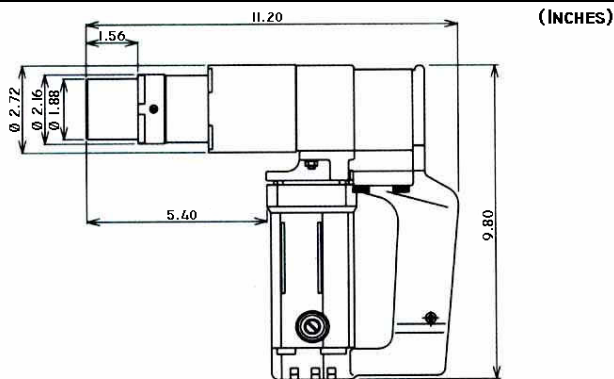


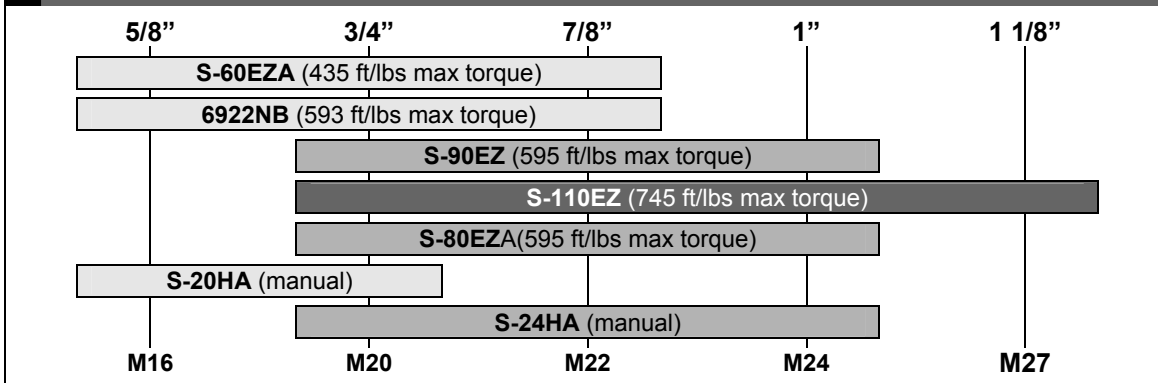
ELECTRIC SHEAR WRENCH SERIES
MODEL S-60EZA



S-60EZA SHEAR WRENCH



APPLICATION REFERENCE CHART

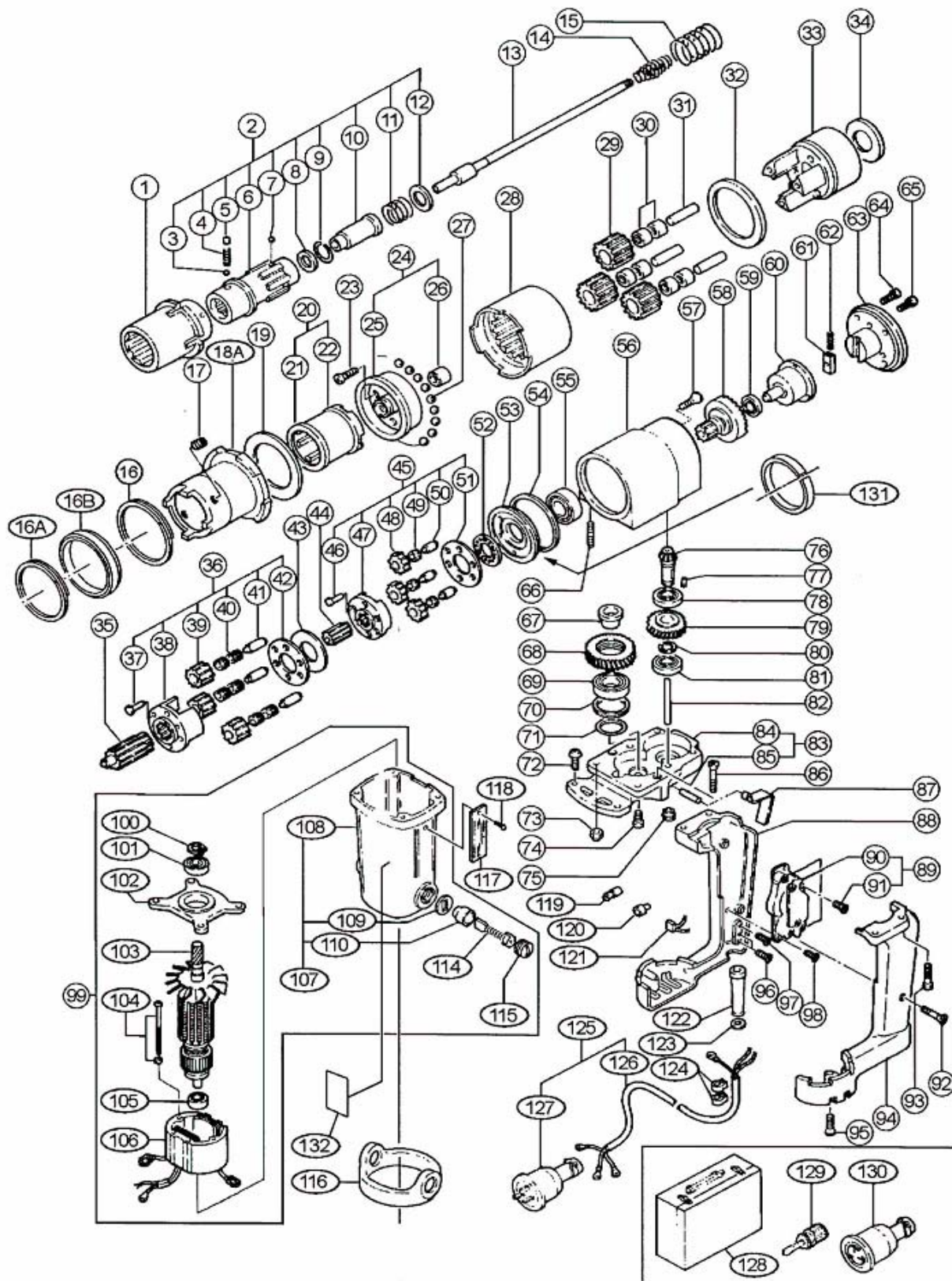


TOOL SPECIFICATIONS

MODEL	S-60EZA	6922NB	S-90EZ	S-110EZ	S-80EZA	S-20HA	S-24HA
Tool Specifications							
Voltage	115V	115V	115V	115V	115V	-	-
Max Current	13.5A	12.0A	12.0A	13.5A	11.5A	-	-
Max Power Consumption	1300W	1200W	1200W	1300W	1100W	-	-
Frequency	50~60Hz	50~60Hz	50~60Hz	50~60Hz	50~60Hz	-	-
Max Torque	435 ft/lbs	593 ft/lbs	595 ft/lbs	745 ft/lbs	595 ft/lbs	-	-
No-Load Rotation	22 RPM	18 RPM	15 RPM	16 RPM	12 RPM	-	-
Weight	12.1 lbs	10.6 lbs	16.7 lbs	22.7 lbs	17.6 lbs	9.0 lbs	13.9 lbs

MODEL S-60EZA
ASSEMBLY DRAWING

LEJEUNE
BOLT COMPANY



MODEL S-60EZA
PARTS LIST



PART NO.	DESCRIPTION	QTY
1	Outer Socket	1
2	Inner Socket	1
13	Ejector Pin	1
13e	Extended Ejector Pin	1
14	Ejector Spring	1
15	Inner Socket Spring	1
16	Spirolox	1
16a	Spirolox	1
16b	Spiro Stopper	1
17	Set Screw	2
18a	Outer Socket Holder	1
19	Thrust Washer	1
20	Inner Socket Holder Assy	1
21	Bearing Bush	1
23	HSH Reamer Bolt	3
24	Third Spider Assembly	1
27	Steel Ball	33
28	Internal Gear	1
29	Third Idle Gear	3
30	Needle Cage	6
31	Third Gear Pin	3
32	Thrust Ring	1
33	Gear Case	1
34	Second Thrust Metal	1
35	Third Pinion Gear	1
36	Second Idle Gear Assy	1
43	First Thrust Metal	1
44	Second Pinion Gear	1
45	First Idle Gear Assy	1
52	Needle Thrust Bearing	1
53	Friction Disk	1
54	Spirolox	1
55	Ball Bearing	1
56	Housing	1
57	CRFH Screw	6
58	First Pinion Gear	1
59	Ball Bearing	1
60	Ejector Bracket	1
61	Latch	1
62	Latch Spring	1
63	Housing Cover	1
64	HSH Bolt	4
65	HSH Bolt	3
66	Stud Bolt	2
67	Idle Pin	1

PART NO.	DESCRIPTION	QTY
68	Motor Idle Gear	1
69	Ball Bearing	1
70	Spirolox	1
71	Spacer	1
72	CRPH Screw	2
73	Cap Nut	2
74	HSH Bolt	1
76	Pinion Bevel Gear	1
77	Key	1
78	Ball Bearing	1
79	Motor Gear	1
80	Retaining Ring C-Type	1
81	Ball Bearing	1
82	Push Rod	1
83	Bracket Assembly	1
86	CRFH Screw	2
87	Eject Lever	1
88	Grip	1
89	Switch Assembly	1
92	CRFH Screw	1
93	HSH Bolt	4
94	Grip Cover	1
95	CRFH Screw	2
96	CRPH Screw	2
97	CRPH Screw	1
98	CRPH Screw	2
100	Snap Ring	1
101	Ball Bearing	1
102	Bearing Bracket	1
103	Armature	1
104	CRPH Screw	2
105	Ball Bearing	1
106	Stator	1
107	Stator Spider Assembly	1
109	Insulating Washer	2
114	Carbon Brush	2
115	Brush Cap	2
116	Cushion Rubber	1
121	Capacitor	1
122	Cord Armour	1
123	Cord Armour Washer	1
124	Cord Clamp	2
125	Cord Assembly	1
128	Metal Case	1
131	Spiro Washer	1

ANY PART NOT LISTED IS A COMPONENT OF AN ASSEMBLY AND IS NOT SOLD SEPERATELY