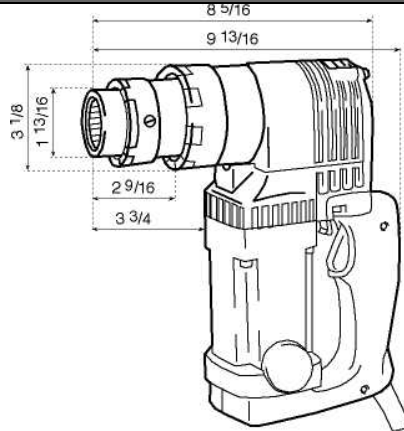


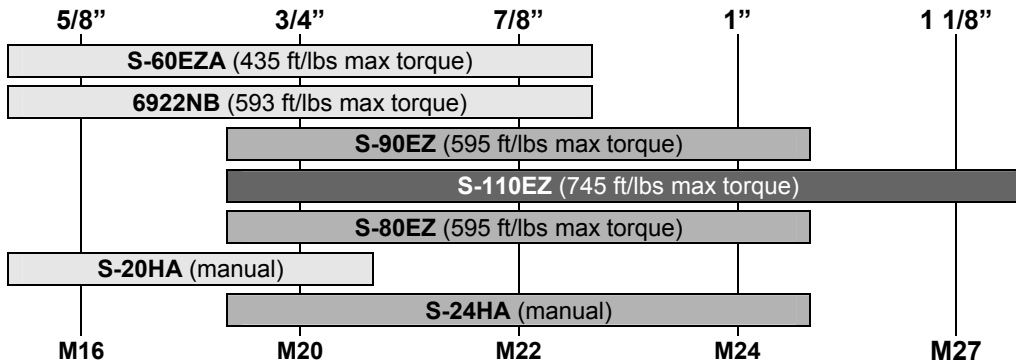
ELECTRIC SHEAR WRENCH SERIES
MODEL 6922NB



6922NB SHEAR WRENCH



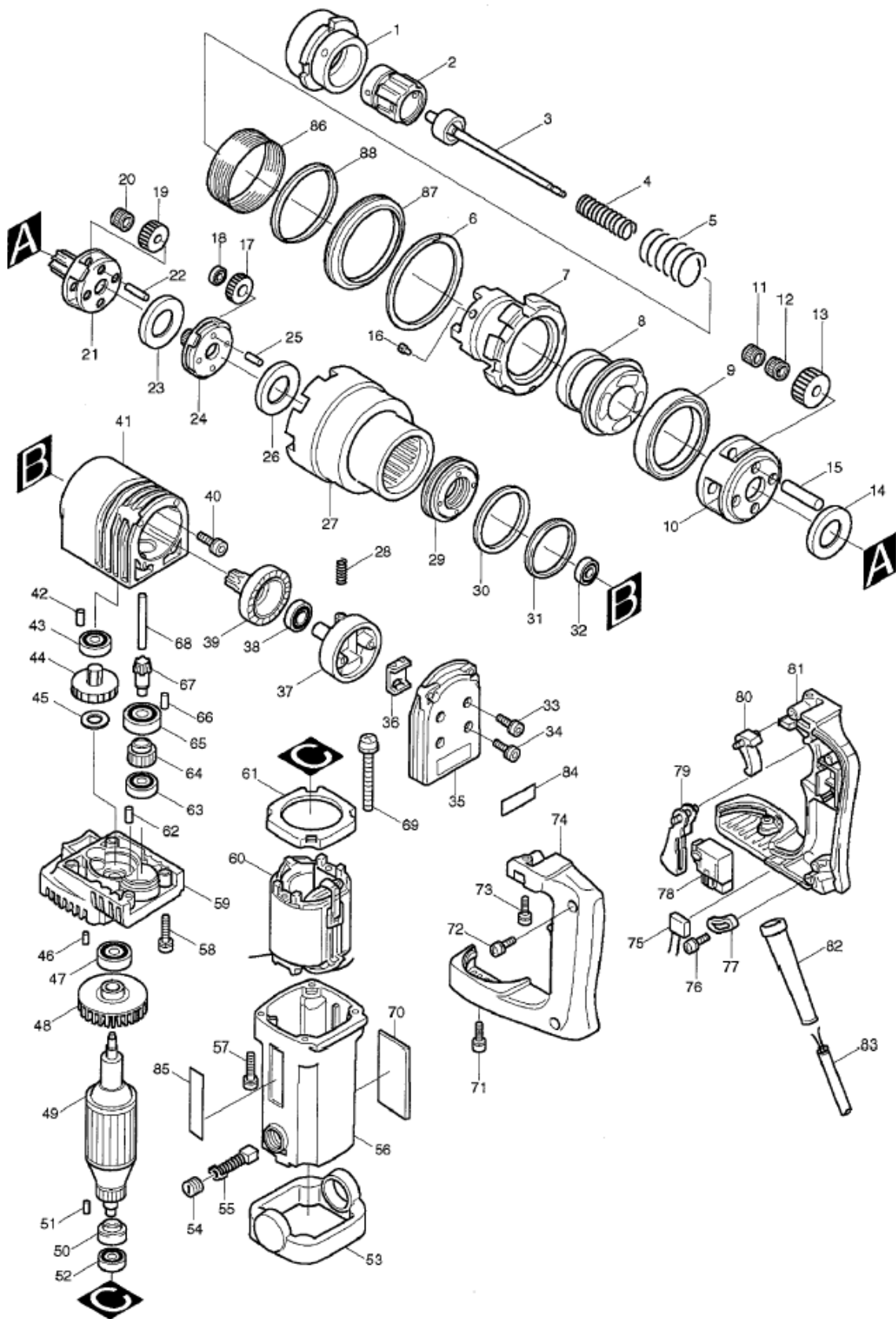
APPLICATION REFERENCE CHART



TOOL SPECIFICATIONS

MODEL	S-60EZA	6922NB	S-90EZ	S-110EZ	S-80EZ	S-20HA	S-24HA
Tool Specifications							
Voltage	115V	115V	115V	115V	115V	.	.
Max Current	13.5A	12.0A	12.0A	13.5A	11.5A	.	.
Max Power Consumption	1300W	1200W	1200W	1300W	1100W	.	.
Frequency	50~60Hz	50~60Hz	50~60Hz	50~60Hz	50~60Hz	.	.
Max Torque	435 ft/lbs	593 ft/lbs	595 ft/lbs	745 ft/lbs	595 ft/lbs	.	.
No-Load Rotation	22 RPM	18 RPM	15 RPM	16 RPM	12 RPM	.	.
Weight	12.1 lbs	10.6 lbs	16.7 lbs	22.7 lbs	17.6 lbs	9.0 lbs	13.9 lbs

MODEL 6922NB
ASSEMBLY DRAWING



MODEL 6922NB
PARTS LIST



PART NO.	DESCRIPTION	QTY
1	Outer Socket	1
2	Inner Socket	1
3	Ejector Pin	1
4	Ejector Spring	1
5	Inner Socket Spring	1
6	Spirolox	1
7	Outer Socket Holder	1
8	Inner Socket Holder Assembly	1
9	Ball Bearing	1
10	Gear Carrier	1
11	Needle Cage	4
12	Needle Cage	4
13	Spur Gear	4
14	Washer	1
15	Gear Pin	4
16	Set Screw	2
17	Spur Gear	4
18	Ball Bearing	4
19	Spur Gear	4
20	Needle Cage	4
21	Pinion Gear and Carrier	1
22	Gear Pin	4
23	Washer	1
24	Pinion Gear and Carrier	1
25	Gear Pin	4
26	*****	***
27	Internal Gear	1
28	Latch Spring	1
29	*****	***
30	Spirolox	1
31	Ring Spacer	1
32	Ball Bearing	1
33	CRPH Screw	2
34	HSH Bolt	4
35	Housing Cover	1
36	Latch	1
37	Ejector Bracket	1
38	Ball Bearing	1
39	Pinion Gear	1
40	HSH Bolt	4
41	Housing Assembly, Includes 42,66	1
42	Rubber Pin	1
43	Ball Bearing	1
44	Helical Gear	1

PART NO.	DESCRIPTION	QTY
45	Thrust Needle Bearing	1
46	*****	***
47	Ball Bearing	1
48	Fan	1
49	Armature Assembly, Includes 48,50,52	1
50	Insulation Washer	1
51	Rubber Pin	1
52	Ball Bearing	1
53	Cushion Rubber	1
54	Brush Cap	2
55	Carbon Brush	2
56	Stator Spider Assembly, Includes 51	1
57	HSH Bolt	4
58	HSH Bolt	4
59	Bracket Assembly, Includes 47	1
60	Stator	1
61	Baffle Plate	1
62	*****	***
63	Ball Bearing	1
64	Helical Gear	1
65	Ball Bearing	1
66	Rubber Pin	1
67	Gear Assembly, Includes 63,64,65	1
68	Ejector Rod	1
69	CRPH Screw	2
70	Name Plate 6922NB	1
71	HSH Bolt	2
72	Tapping Screw	2
73	HSH Bolt	2
74	Handle Set, Includes 81	1
75	Capacitor	1
76	Tapping Screw	2
77	Strain Relief	1
78	Switch	1
79	Switch Lever	1
80	Ejector Lever	1
81	Handle Set, Includes 74	1
82	Cord Guard	1
83	Power Supply Cord	1
84	Makita Mark	1
85	Makita Mark	1
86	Leaf Spring	1
87	Spacer	1
88	Rubber Ring	1

ANY PART NOT LISTED IS A COMPONENT OF AN ASSEMBLY AND IS NOT SOLD SEPERATELY